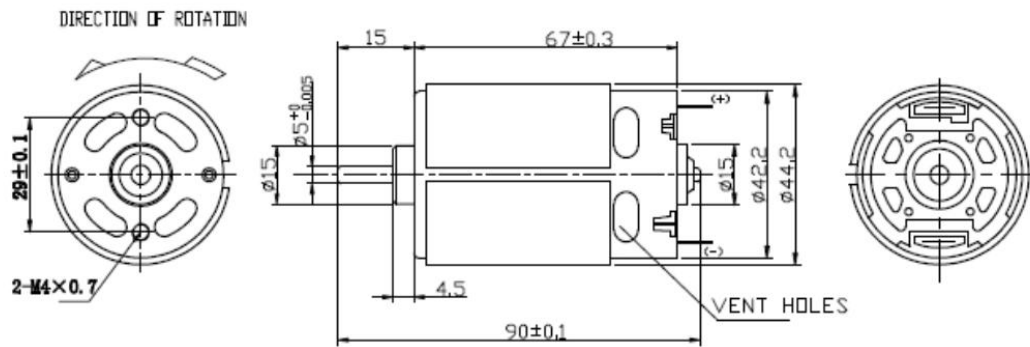


Certification: ce, RoHS
 Type: Micro Motor
 Torque: $\leq 500\text{mNm}$
 Construction: Permanent Magnet
 Commutation: Brush
 Protect Feature: Drip-proof
 Speed(RPM): 2,000-30,000rpm
 Continuous Current(A): $\leq 5\text{A}$
 Efficiency: IE 1
 Product Name: 775 motor
 Application: Automatic Product
 Typical Applications: Automotive Product
 Shaft diameter: 5mm
 Brush Type: BRUSH Metal Carbon Brush
 Motor type: PMDC Brushed Motor
 Rated Voltage: 6~26V
 Keywords: dc motor 775
 Weight: 350g
 Need more parameters, please contact us / whatsapp: +86 18326440199
 Email: sale@einausschalten.com



WEIGHT: 350g (APPROX)

UNIT: MM

