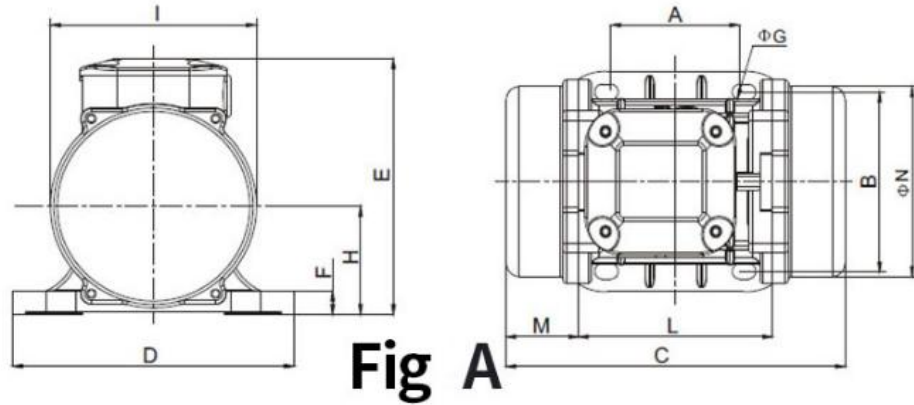
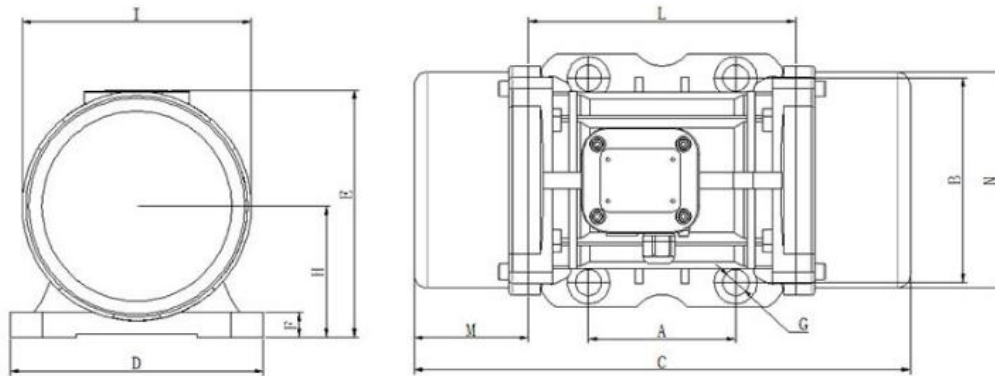


## Product Description

MVE series of standard vibration motors to meet the needs of various industrial vibration equipment.



**Fig A**



**Fig B**

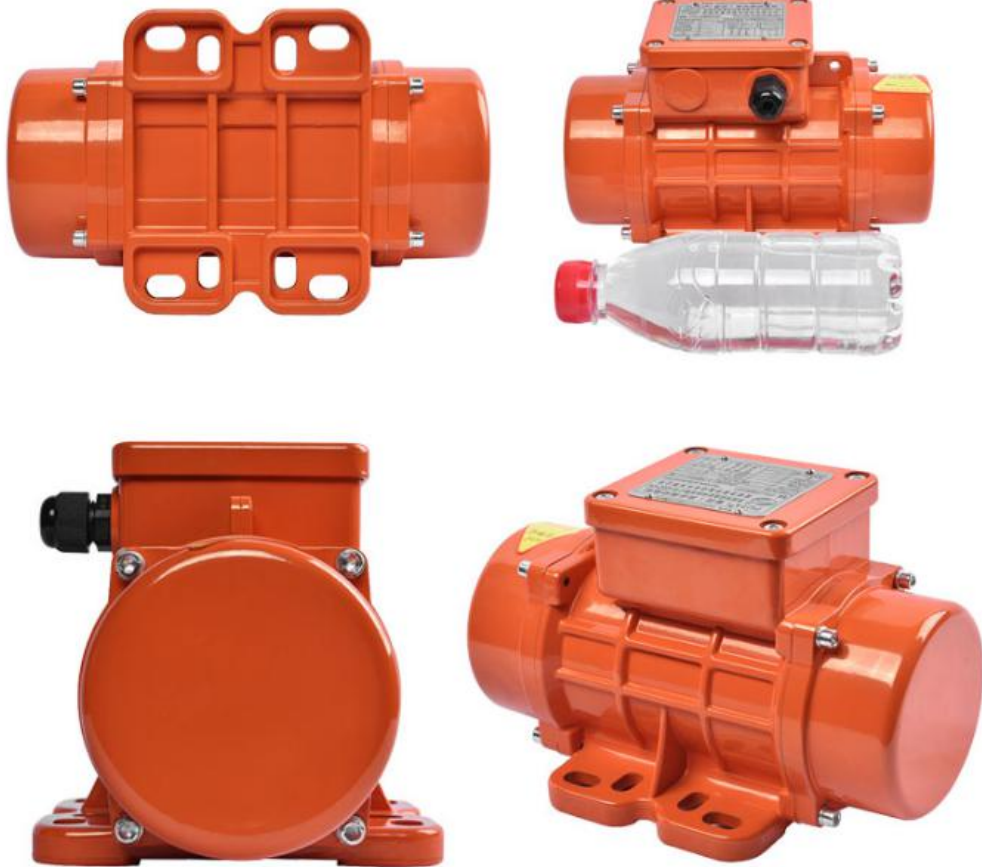
### 3相2极 3Phase2pole

型号 Type	激振力 Force		转速 Speed rpm	激振功率 Power kw	电流 Current A	安装外形尺寸(毫米) Installation dimensions											电缆接头 Cable Gland	重量 Weight kg	机座号 Size	图号 Fig	
	kg	kN				A	B	C	D	E	F	φG	H	I	L	M					N
MVE60/3	71	0.7	3000	0.03	0.16	62-74	106	211	130	136	12	9	48	94	121	45	86	M16*1.5	4.2	SIZE10	A
MVE100/3	99	1	3000	0.04	0.19	62-74	106	221	130	136	12	9	48	94	121	50	86	M16*1.5	4.6	SIZE10	A
MVE200/3	198	2	3000	0.09	0.35	62-74	106	231	131	159	15	9	64	121	123	54	112	M20*1.5	6.8	SIZE20	A
MVE300/3	311	3	3000	0.16	0.52	90	125	253	155	175	15	13	79	142	163	45	131	M20*1.5	9.8	SIZE30	B
MVE400/3	400	4	3000	0.2	0.58	90	125	273	155	175	15	13	79	142	163	55	131	M20*1.5	10.3	SIZE30	B
MVE500/3	516	5	3000	0.37	0.96	105	140	334	168	196	22	13	92	169	178	78	158	M20*1.5	15.8	SIZE40	B
MVE700/3	750	7	3000	0.45	1.25	105	140	334	168	196	22	13	92	169	178	78	158	M20*1.5	16.5	SIZE40	B
MVE800/3	788	8	3000	0.55	1.45	120	170	321	208	210	22	17	94	180	205	58	170	M20*1.5	20.6	SIZE50	B
MVE1200/3	1018	10	3000	0.75	1.85	120	170	321	208	210	22	17	94	180	205	58	170	M20*1.5	21.6	SIZE50	B
MVE1300/3	1386	13	3000	1.1	2.44	120	170	321	208	210	22	17	94	180	205	58	170	M20*1.5	24.5	SIZE50	B
MVE1600/3	1571	16	3000	1.25	2.94	140	190	416	229	262	30	17	120	247	220	80	222	M25*1.5	51.6	SIZE60	B
MVE1800/3	1848	18	3000	1.5	3.75	140	190	416	229	262	30	17	120	247	220	80	222	M25*1.5	52	SIZE60	B
MVE2000/3	2033	20	3000	2	4.07	140	190	416	229	262	30	17	120	247	220	80	222	M25*1.5	51.8	SIZE60	B
MVE2200/3	2206	22	3000	2	4.07	140	190	416	229	262	30	17	120	247	220	80	222	M25*1.5	52.8	SIZE60	B
MVE2300/3	2310	23	3000	2	4.44	140	190	416	229	262	30	17	120	247	220	80	222	M25*1.5	53.6	SIZE60	B
MVE3200/3	3250	32	3000	2.2	5.3	155	255	538	302	318	35	25	147	295	273	115	264	M32*1.5	96.9	SIZE75	B
MVE4000/3	4030	40	3000	2.3	5.3	155	255	538	302	318	35	25	147	295	273	115	264	M32*1.5	107	SIZE75	B
MVE5000/3	5070	50	3000	3.5	7.22	155	255	588	302	318	35	25	147	295	273	140	264	M32*1.5	111.2	SIZE75	B
MVE6500/3	6500	65	3000	4.2	8.2	200	320	605	378	411	49	28	200	421	325	120	378	M32*1.5	228.4	SIZE85	B
MVE9000/3	9030	90	3000	7.2	17.8	200	320	605	378	411	49	28	200	421	325	120	378	M32*1.5	240.3	SIZE85	B

## 3相4极 3Phase4pole

型号 Type	扭矩 Flrce		转速 Speed rpm	功率 Power kw	电流 Current A	安装外形尺寸(毫米) Installation dimensions													电缆接头 Cable Gland	重量 Weight kg	机座号 Size	图号 Fig
	kg	kN				A	B	C	D	E	F	φG	H	I	L	M	N					
MVE40/15	32	0.3	1500	0.03	0.26	62-74	106	221	130	136	12	9	48	94	121	50	86	M16*1.5	4.6	SIZE10	A	
MVE90/15	90	0.9	1500	0.04	0.31	62-74	106	231	131	159	15	9	64	121	123	54	112	M20*1.5	7.4	SIZE20	A	
MVE200/15	183	2	1500	0.06	0.49	90	125	273	154	175	15	13	79	142	163	70	131	M20*1.5	11.8	SIZE30	B	
MVE250/15	257	2.5	1500	0.07	0.54	90	125	303	154	175	15	13	79	142	163	70	131	M20*1.5	13.2	SIZE30	B	
MVE300/15	305	3	1500	0.08	0.62	90	125	303	156	175	15	13	79	142	163	70	131	M20*1.5	16.5	SIZE30	B	
MVE400/15	388	4	1500	0.15	0.84	105	140	334	168	196	22	13	92	169	178	78	158	M20*1.5	19.5	SIZE40	B	
MVE500/15	518	5	1500	0.25	1.06	105	140	334	168	196	22	13	92	169	178	78	158	M20*1.5	21	SIZE40	B	
MVE700/15	693	7	1500	0.37	1.32	120	170	391	208	210	22	17	94	180	205	93	170	M20*1.5	27.4	SIZE50	B	
MVE800/15	807	8	1500	0.4	1.36	120	170	391	208	210	22	17	94	180	205	93	170	M20*1.5	28.3	SIZE50	B	
MVE1100/15	1045	11	1500	0.4	1.4	120	170	451	208	210	22	17	94	180	205	123	170	M20*1.5	35.8	SIZE50	B	
MVE1400/15	1406	14	1500	0.45	1.78	140	190	448	229	262	30	17	120	247	220	96	222	M25*1.5	59.8	SIZE60	B	
MVE1700/15	1757	17	1500	0.75	2.09	140	190	448	229	262	30	17	120	247	220	96	222	M25*1.5	61.8	SIZE60	B	
MVE2400/15	2420	24	1500	1	3.2	140	190	514	229	262	30	17	120	247	220	129	222	M25*1.5	68	SIZE60	B	
MVE2500/15	2500	25	1500	1.2	3.4	155	225	522	272	295	40	22	141	267	250	123	235	M25*1.5	90	SIZE70	B	
MVE3000/15	3065	30	1500	1.5	3.68	155	225	522	272	295	40	22	141	267	250	123	235	M25*1.5	97.5	SIZE70	B	
MVE3800/15	3830	38	1500	1.72	4.15	155	225	588	302	318	35	23.5	147	295	273	140	264	M32*1.5	130.4	SIZE75	B	
MVE4300/15	4312	43	1500	1.94	4.5	155	225	588	302	318	35	23.5	147	295	273	140	264	M32*1.5	134.4	SIZE75	B	
MVE5500/15	5576	55	1500	2.2	6.5	180	280	603	332	360	37	26	168	345	304	130	310	M32*1.5	192.2	SIZE80	B	
MVE7200/15	7188	72	1500	3	9.6	200	320	608	378	411	49	28	200	424	325	120	378	M32*1.5	253	SIZE85	B	
MVE9000/15	8984	90	1500	5.8	13.4	200	320	608	378	411	49	28	200	424	325	120	378	M32*1.5	288.6	SIZE85	B	

## OVERALL APPEARANCE DISPLAY



## Quality Assurance of Seiko Manufacturing



**Stator**

F-Pole Insulation Grade  
High temperature resistance



**Eccentric block**

Adjusting exciting force  
Satisfy all kinds of work needs



**Power Wire Sheath**

Anti-oxidation and anti-distortion



**Bearing**

Precision, Low Noise and Wear Resistance

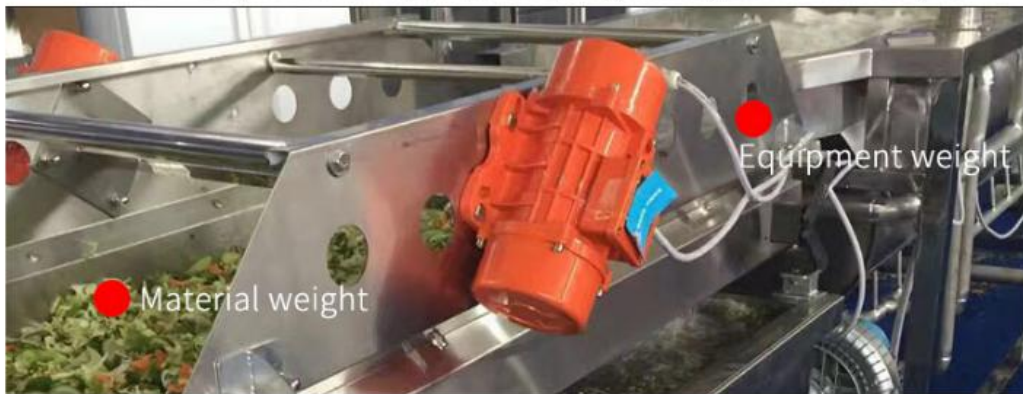


# How to choose the right motor?

1. (Old Users) Check parameters or take pictures of old motor nameplates



2. (New user) Calculate the total weight of material and equipment on the upper part of spring, industry, use environment, etc.



# SERVE ALL WALKS OF LIFE

Screening, grading, cutting, anti-blocking, and other vibration sources

